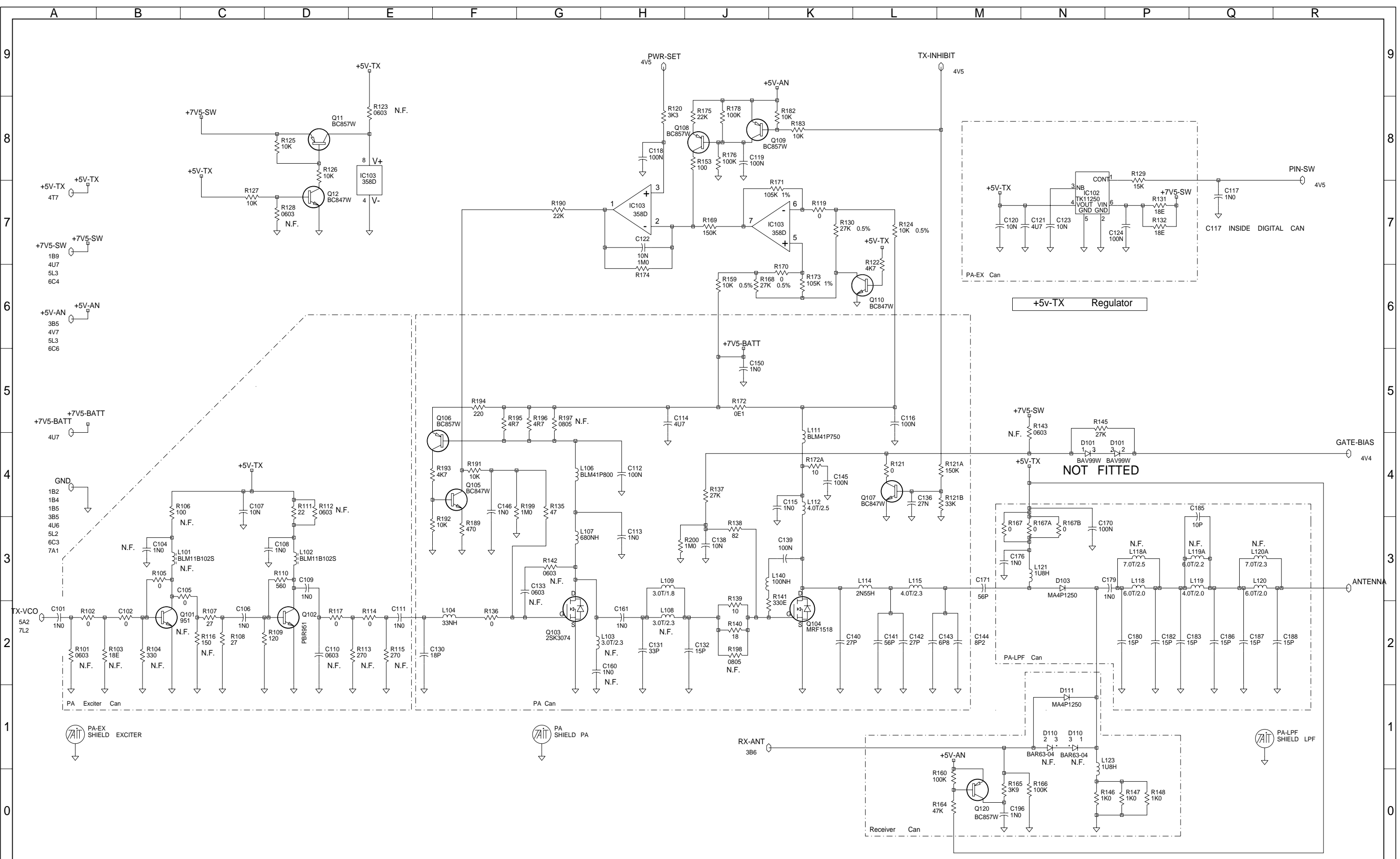


04E	C280 VALUE CHANGE ECO 103200060	BRD		20-03-03		
04C	ECO 501444 VALUE CHANGES PA	BRD		18-09-02		
04B	PROFLOW PASTE CREATED	BRD		28-05-02		
04A	CCO NO. 1654-004	BRD		15-03-01		
03B	CCO NO. 1654-003	BRD		08-01-01		
03A	CCO NO. 1654-002	BRD		26-09-00		
02A	CCO NO. 1654-001	BRD		09-8-00		
01A	NEW PA LINEUP SYNTH RX	BRD		10/07/00		
REV/ISS	AMENDMENTS	DRAWN	CHKD	D.O.	APVD	DATE

05A	DCO 1654-005 WB/NB MOD	BRD		10-11-03
-----	------------------------	-----	--	----------

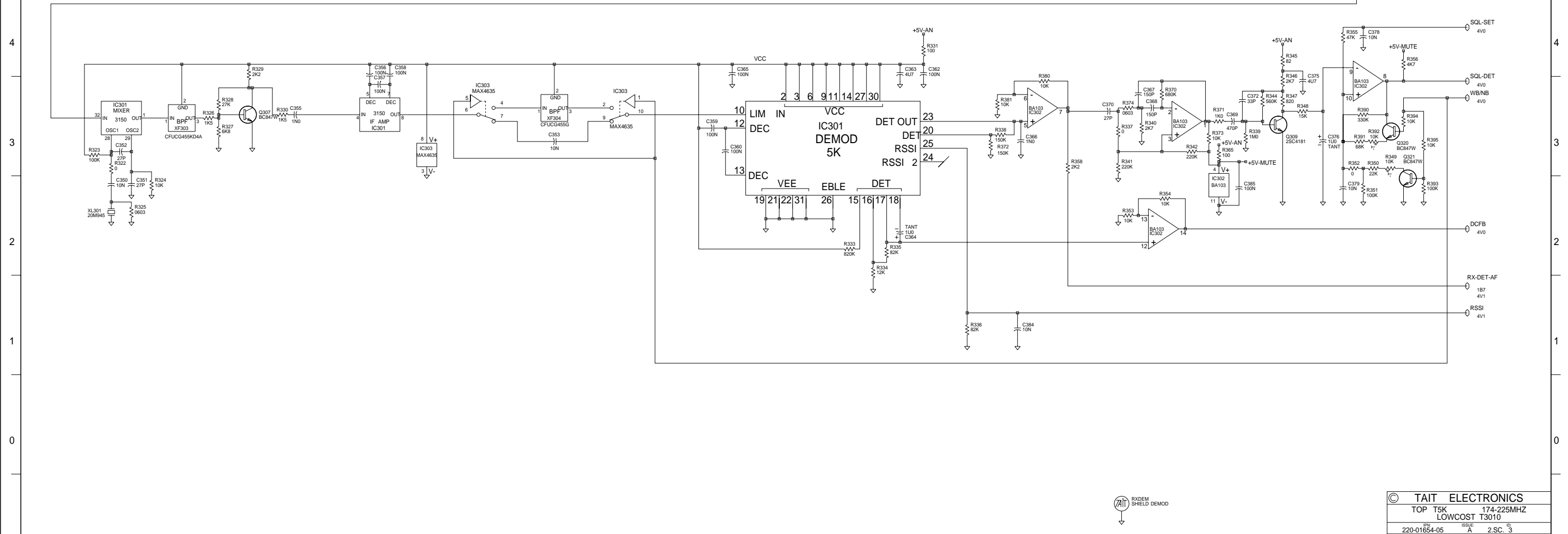
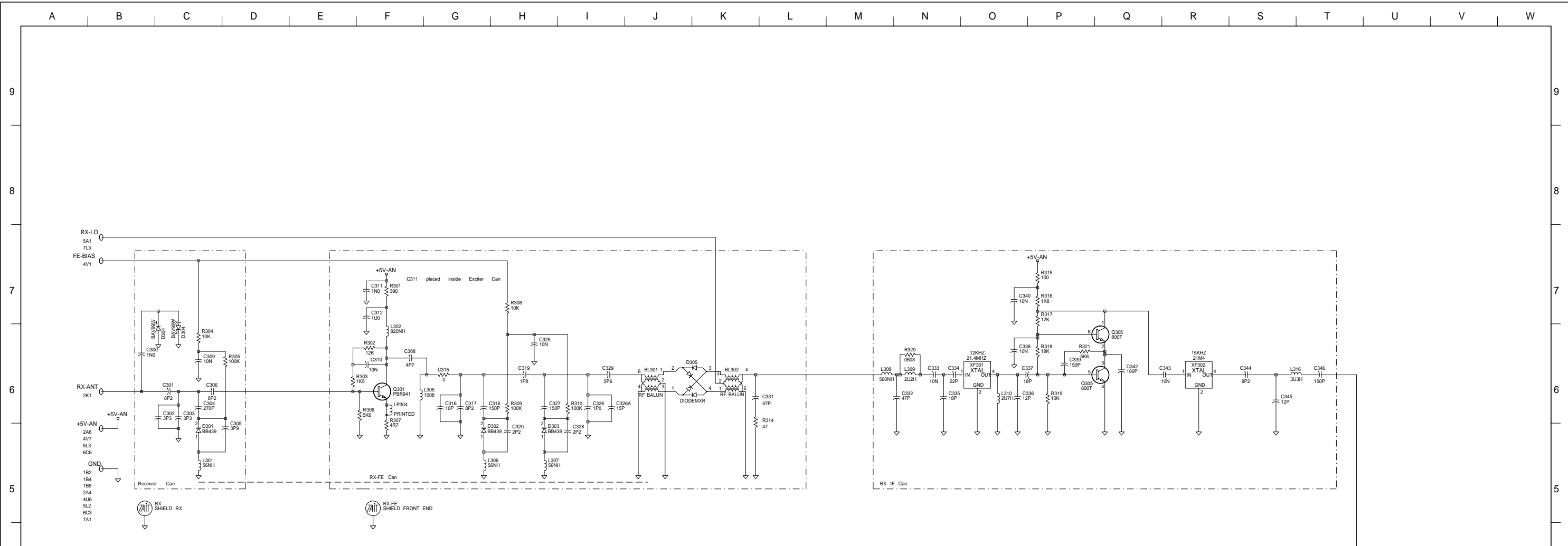
© TAIT ELECTRONICS	
TOP T5K	174-225MHZ
SYSTEM DIAGRAM	
PROJECT: 220-01654-05	ISSUE: A
DESIGNER: TAIT ORCA	FILE NAME: 1654005A
FILE DATE: 10-Nov-03	NO. SHEETS: 7





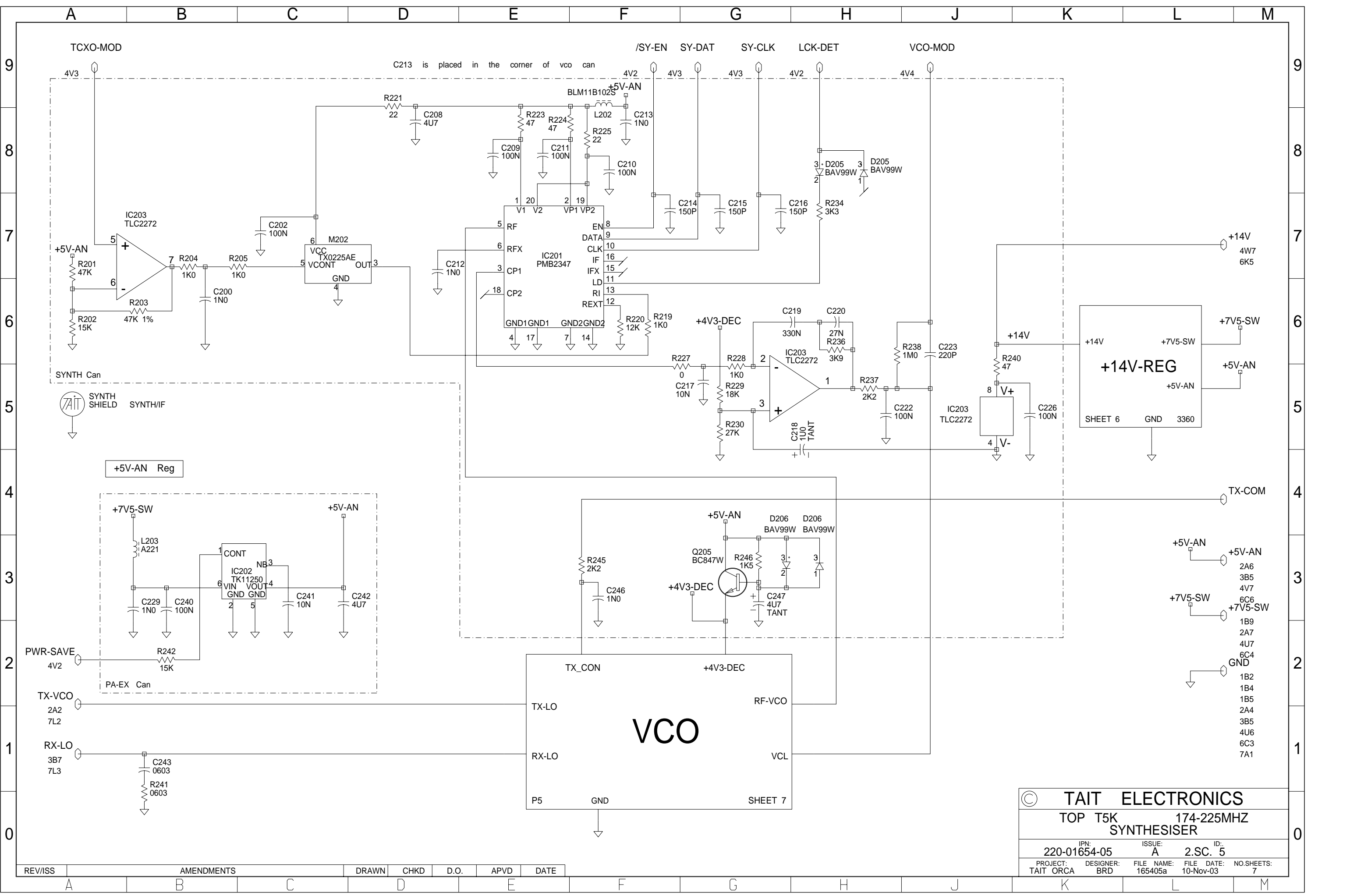
© TAIT ELECTRONICS
 TOP T5K 174-225MHZ
 POWER AMPLIFIER
 IPN: 220-01654-05 ISSUE: A ID: 2.SC. 2
 PROJECT: TAIT ORCA DESIGNER: BRD FILE NAME: 165405a FILE DATE: 10-Nov-03 NO.SHEETS: 7

REV/ISS	AMENDMENTS	DRAWN	CHKD	D.O.	APVD	DATE
A						



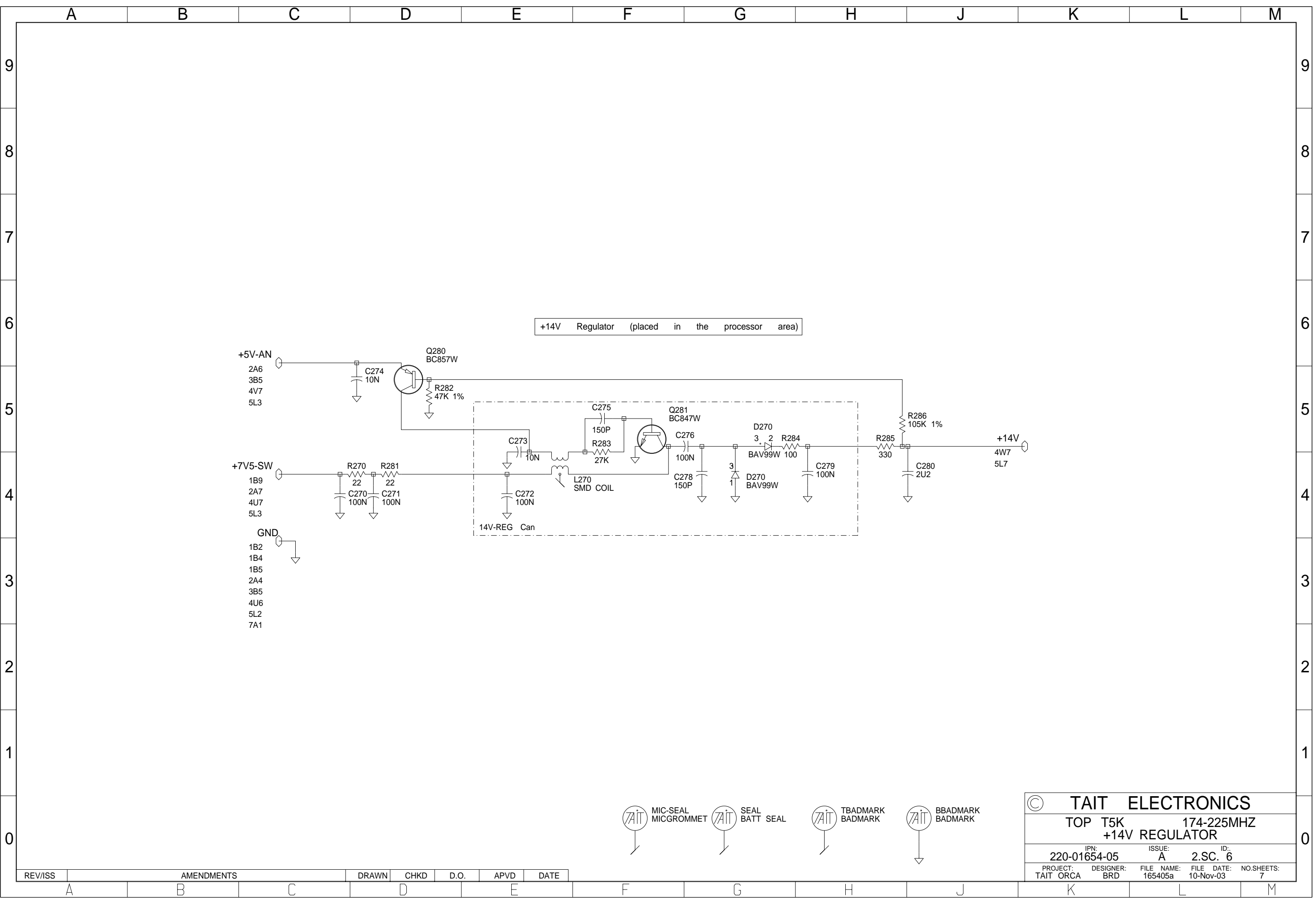
© TAIT ELECTRONICS
 TOP T5K 174-225MHZ
 LOWCOST T3010
 IPN: 220-01654-05
 REV: A
 DATE: 10-Nov-03
 SHEETS: 7
 NO. SHEETS: 3

REV/ISS	AMENDMENTS	DRAWN	CHKD	D.O.	APVD	DATE



© TAIT ELECTRONICS
 TOP T5K 174-225MHZ
 SYNTHESISER
 IPN: 220-01654-05 ISSUE: A ID: 2.S.C. 5
 PROJECT: TAIT ORCA DESIGNER: BRD FILE NAME: 165405a FILE DATE: 10-Nov-03 NO.SHEETS: 7

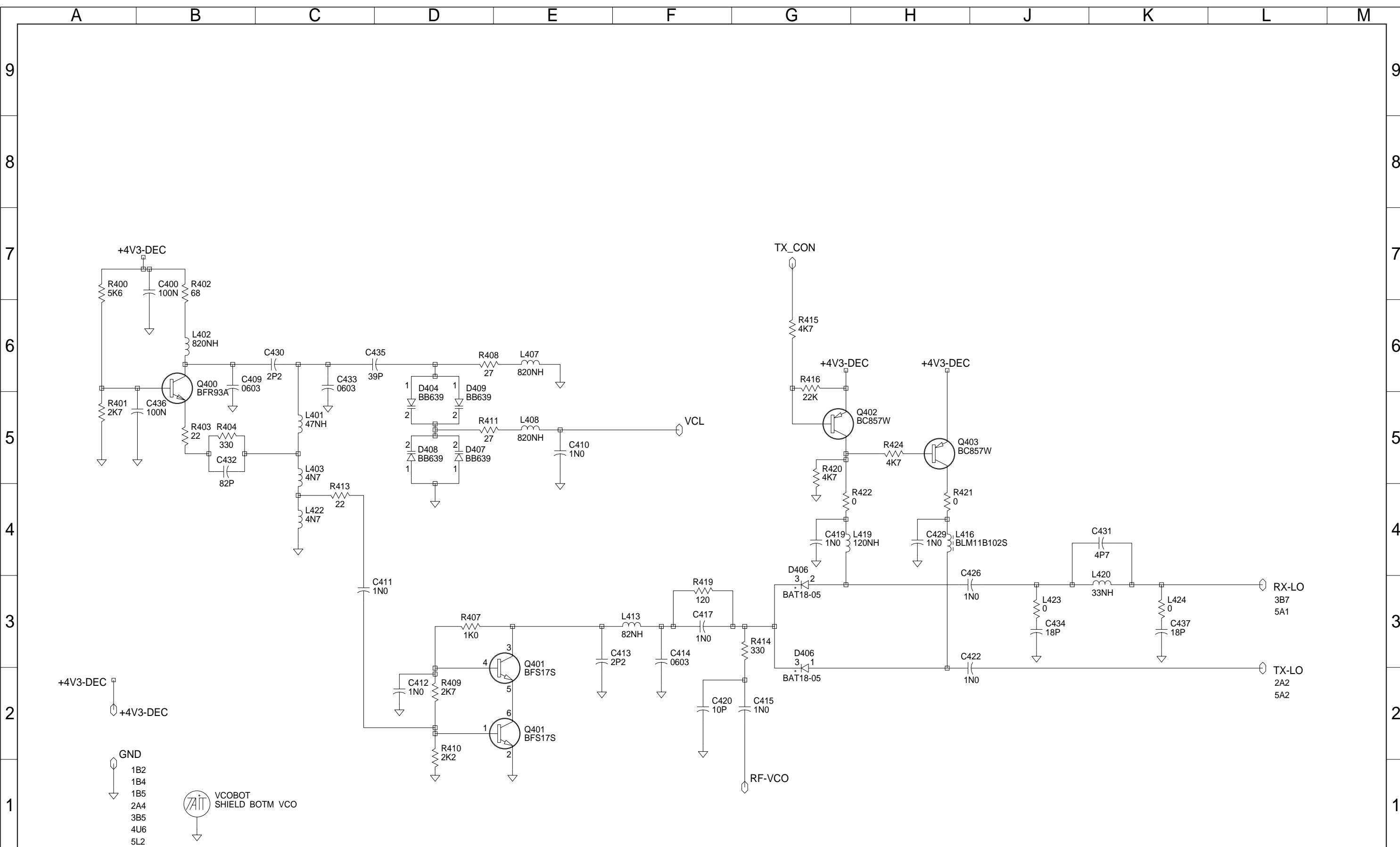
REV/ISS	AMENDMENTS	DRAWN	CHKD	D.O.	APVD	DATE



- MIC-SEAL MICGROMMET
- SEAL BATT SEAL
- TBADMARK BADMARK
- BBADMARK BADMARK

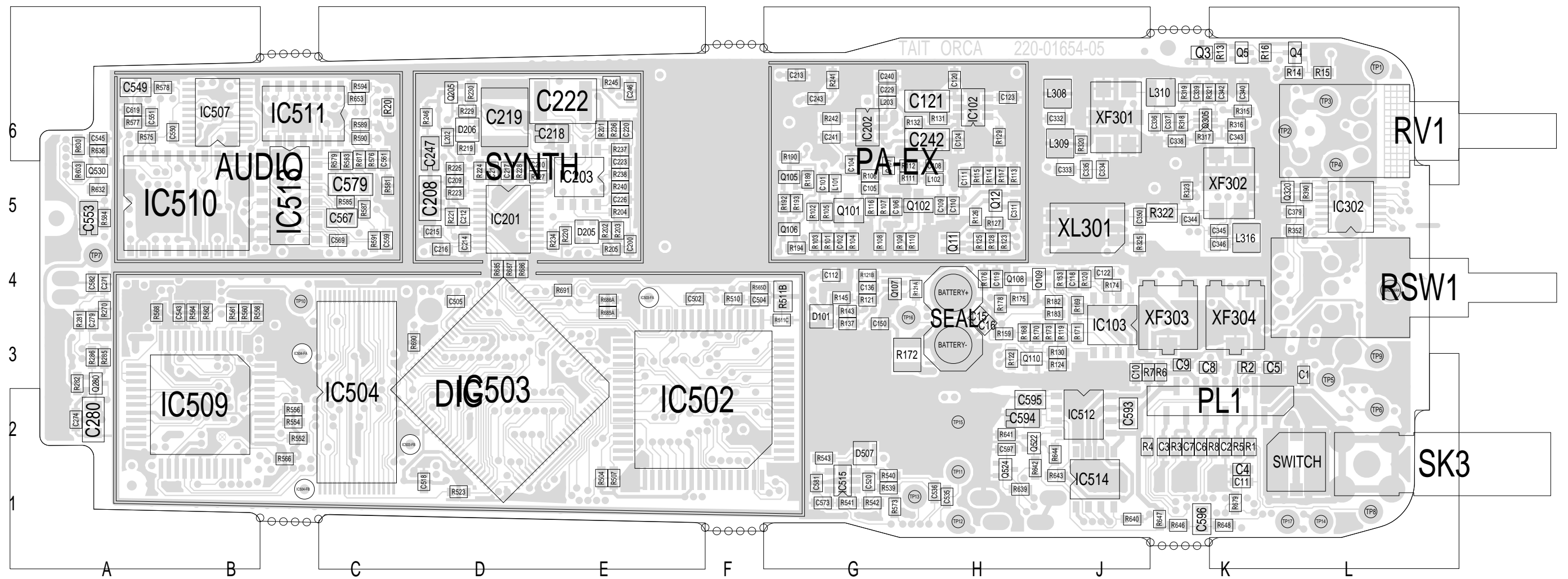
TAIT ELECTRONICS			
TOP T5K		174-225MHZ	
+14V REGULATOR			
IPN: 220-01654-05	ISSUE: A	ID: 2.SC. 6	
PROJECT: TAIT ORCA	DESIGNER: BRD	FILE NAME: 165405a	FILE DATE: 10-Nov-03
		NO.SHEETS: 7	

REV/ISS	AMENDMENTS	DRAWN	CHKD	D.O.	APVD	DATE



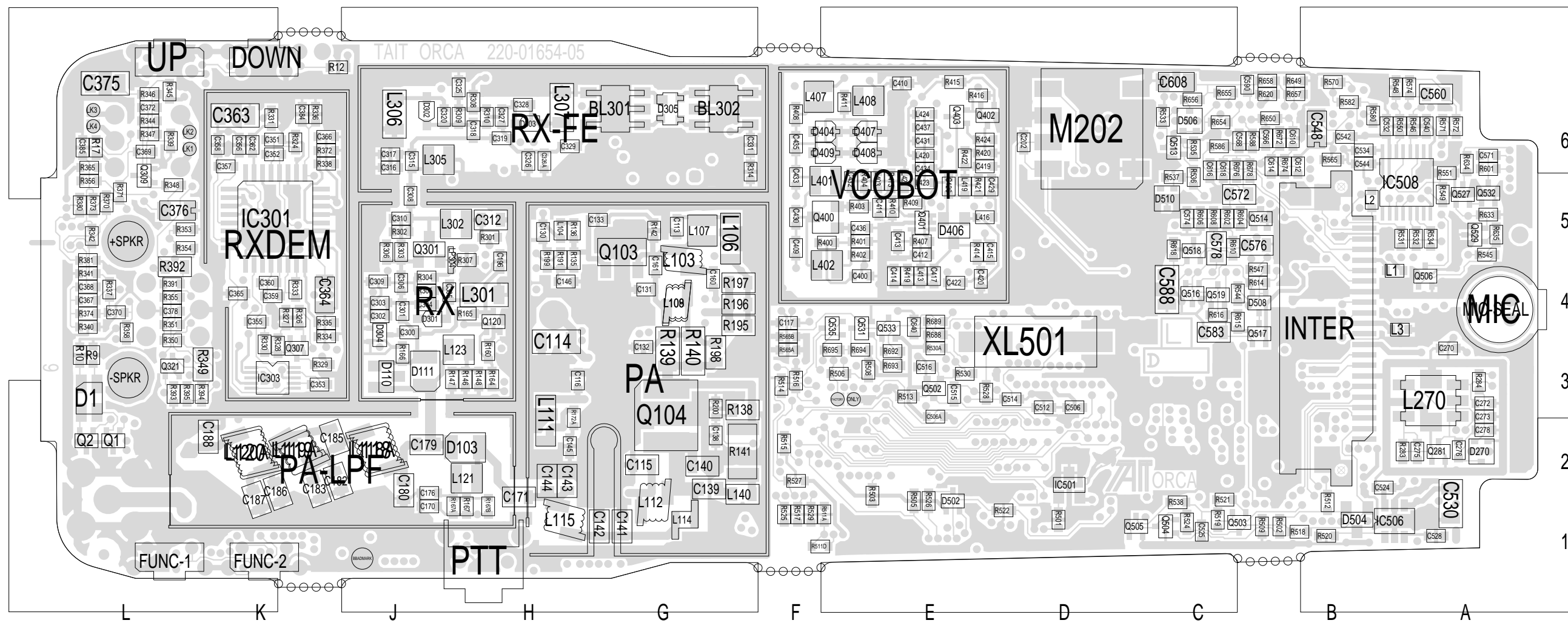
© TAIT ELECTRONICS	
TOP T5K	174-225MHZ
VCO	
IPN: 220-01654-05	ISSUE: A
ID: 2.SC. 7	
PROJECT: TAIT ORCA	DESIGNER: BRD
FILE NAME: 165405a	FILE DATE: 10-Nov-03
NO. SHEETS: 7	

REV/ISS	AMENDMENTS	DRAWN	CHKD	D.O.	APVD	DATE



TAIT ELECTRONICS IPN: 220-01654-05 ISS: A ID: 1.TA DATE: 7 Nov 2003
 TAIT ORCA PCB LAYOUT - TOP SIDE

Scale: 2.3:1 ; Rotation: 0 degrees



TAIT ELECTRONICS IPN: 220-01654-05 ISS: A ID: 6.BA DATE: 7 Nov 2003
 TAIT ORCA PCB LAYOUT - BOTTOM SIDE